

sld

CF1

L2

R17

LED1<sub>k</sub>

C6

C7

C5

R3

C11

C10

R4

OP1

R2

C9

R5

R1

C8

U1

R7

R8

HF1

R9

R6

DM7R0K  
RDMOD10GB

1.1

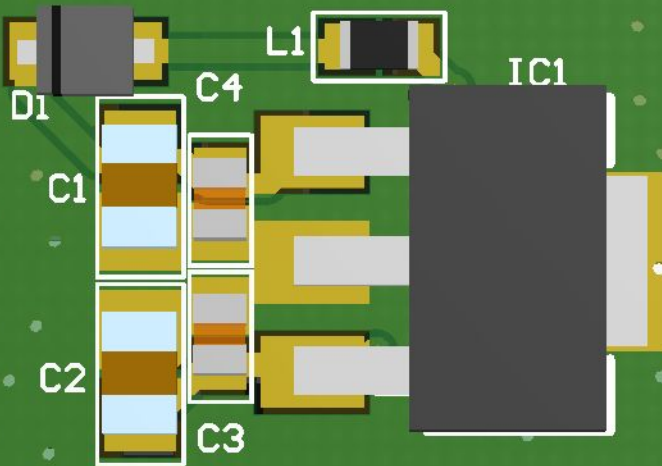
P2

P1

LOG 1MHz-10GHz  
55dB

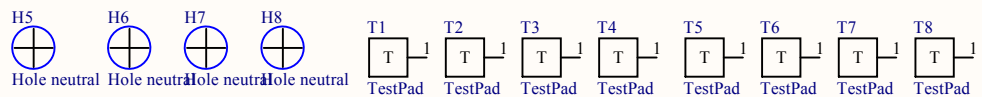
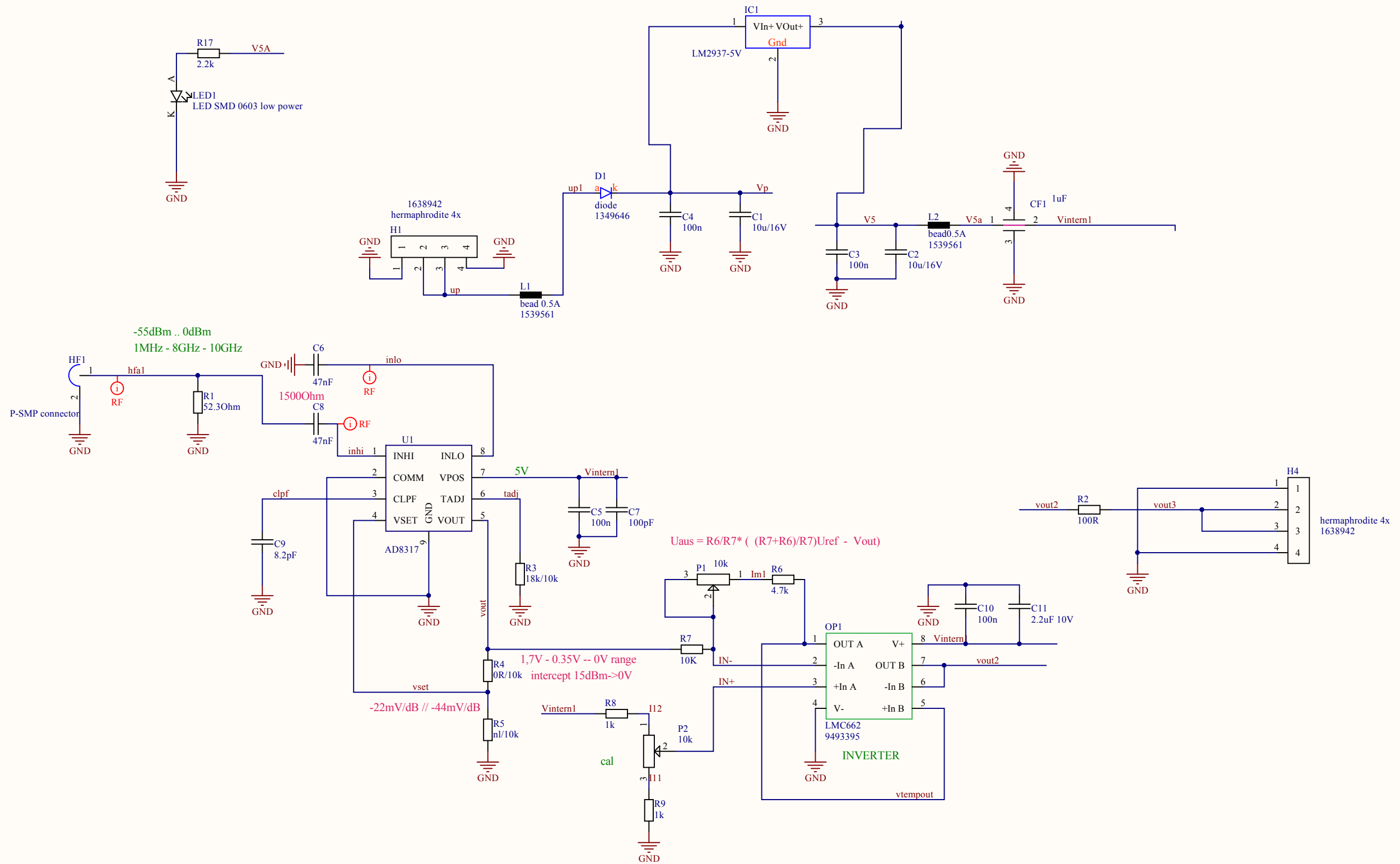
(C) 2016  
DM7RDK

DM7RDK



LS

1.1



Title		
AD8317 LOG bis 1 MHz - 10 GHz - 55dB		
Size	Number	Revision
A3	DM7RDK	1.1
Date:	9/11/2016	Sheet of
File:	H:\Project Rdk\Sheet1 expbasis1x1	RDM7RDK.Gb.SchDoc

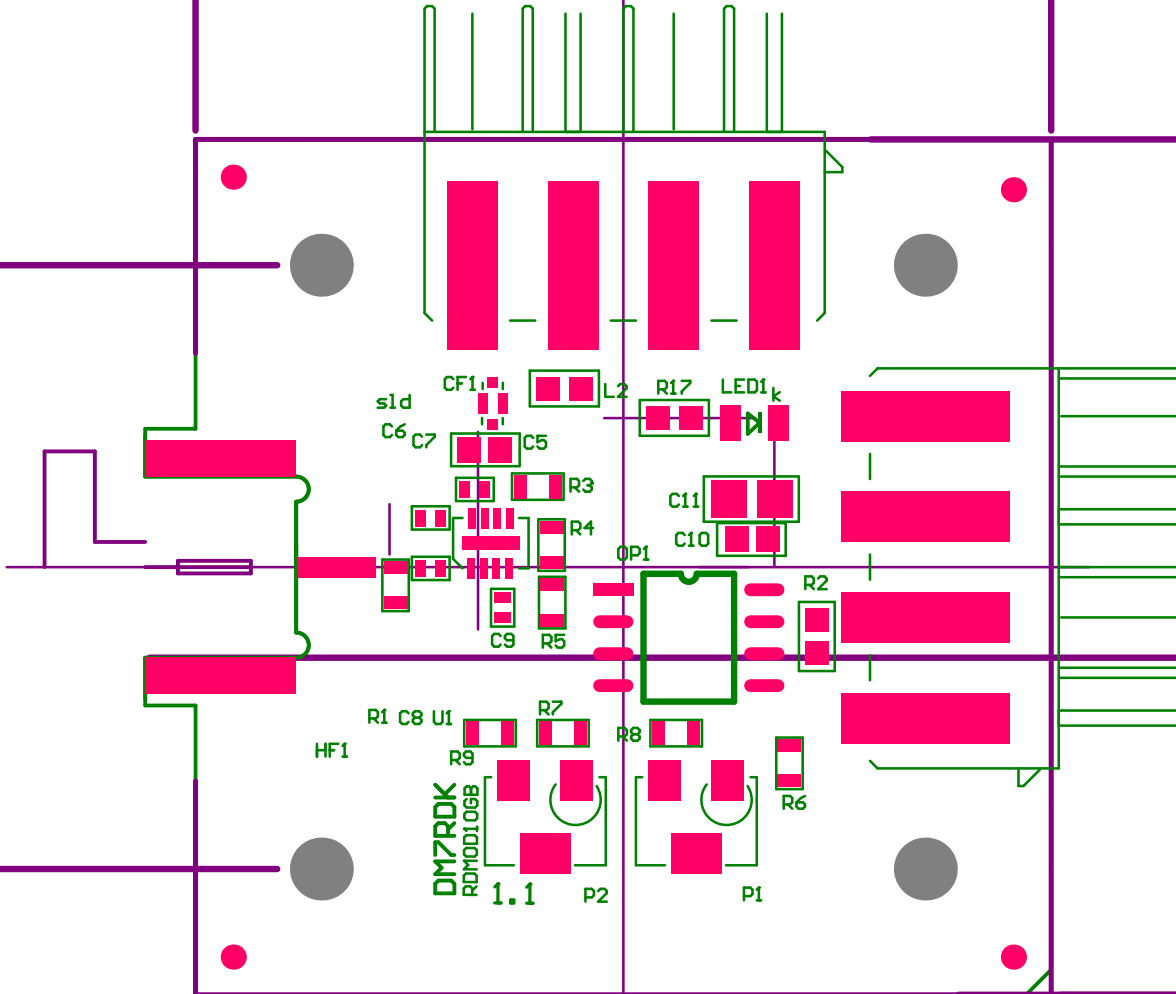
34.00

kontur layer -. Fr4 1.5mm , 500hm = 2.65mm

24.00

34.00

13.40



34.00

kontur layer -. Fr4 1.5mm , 500hm = 2.65mm

24.00

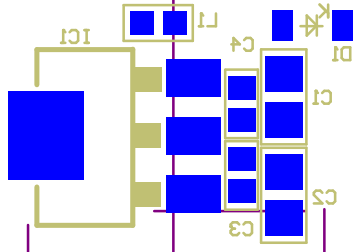
34.00

13.40

LOG 1MHz-10GHz

529B

DMZBOK  
(C)2018



Comment	Description	Designator	Footprint	LibRef	Quantity
10u/16V	Cap	C1, C2	Cap0805_MKM212	Capacitor	2
100n	Cap	C3, C4	cap_0603	Capacitor	2
100n	Cap	C5, C10	cap_0603 flat	Capacitor	2
47nF	Cap	C6, C8	CAP_0402 EIA	Capacitor	2
100pF	Cap	C7	CAP_0402 EIA	Capacitor	1
8.2pF	Cap	C9	CAP_0402 EIA	Capacitor	1
2.2uF 10V	Cap	C11	Cap0805_MKM212	Capacitor	1
1uF	cap through	CF1	NFM18PS 0603	cap through	1
diode	diode	D1	diode sc76 sod323	diode micromelf	1
hermaphrodite 4x	hermaphrodite 4x	H1, H4	herma4x4mm	hermaphrodite 4x	2
P-SMP connector	P-SMP connector	HF1	p-smp-242 slide	p-smp	1
LM2937-5V		IC1	SOT223small	LM2937	1
bead 0.5A	Induct	L1	res_0603	Induct	1
bead0.5A	Induct	L2	res_0603	Induct	1
LED SMD 0603 low power	LED SMD small symbol	LED1	BLUELED2mAANET	LED0805-GENERIC	1
LMC662	OP LMC662 dual	OP1	SOIC8S1	LM6625SOIC_1	1
10k	poti	P1, P2	Trim_3214W	poti	2
52.3Ohm	res	R1	res_0603 eng	resistor	1
100R	res	R2	res_0603	resistor	1
18k/10k	res	R3	res_0603 eng	resistor	1
0R/10k	res	R4	res_0603 eng	resistor	1
nl/10k	res	R5	res_0603 eng	resistor	1
4.7k	res	R6	res_0603 eng	resistor	1
10K	res	R7	res_0603 eng	resistor	1
1k	res	R8, R9	res_0603 eng	resistor	2
2.2k	res	R17	res_0603	resistor	1
TestPad	testpad powerpad etc	T1, T2, T3, T4, T5, T6, T7, T8	testpad - 1mm	TestPad	8
AD8317	AD8317 log detector 1M	U1	LFCSP_VD_8-2x3mm	AD8317	1

34.00

kontur layer -. Fr4 1.5mm , 500hm = 2.65mm

24.00

34.00

13.40

