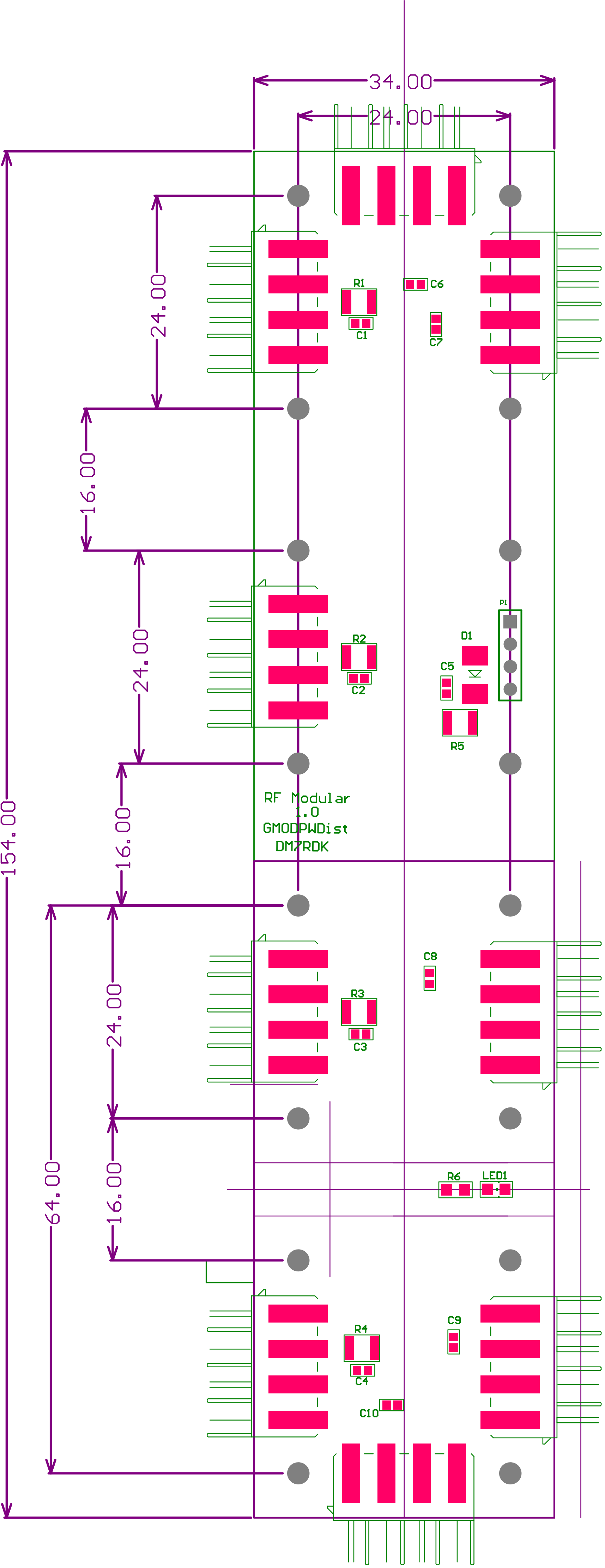
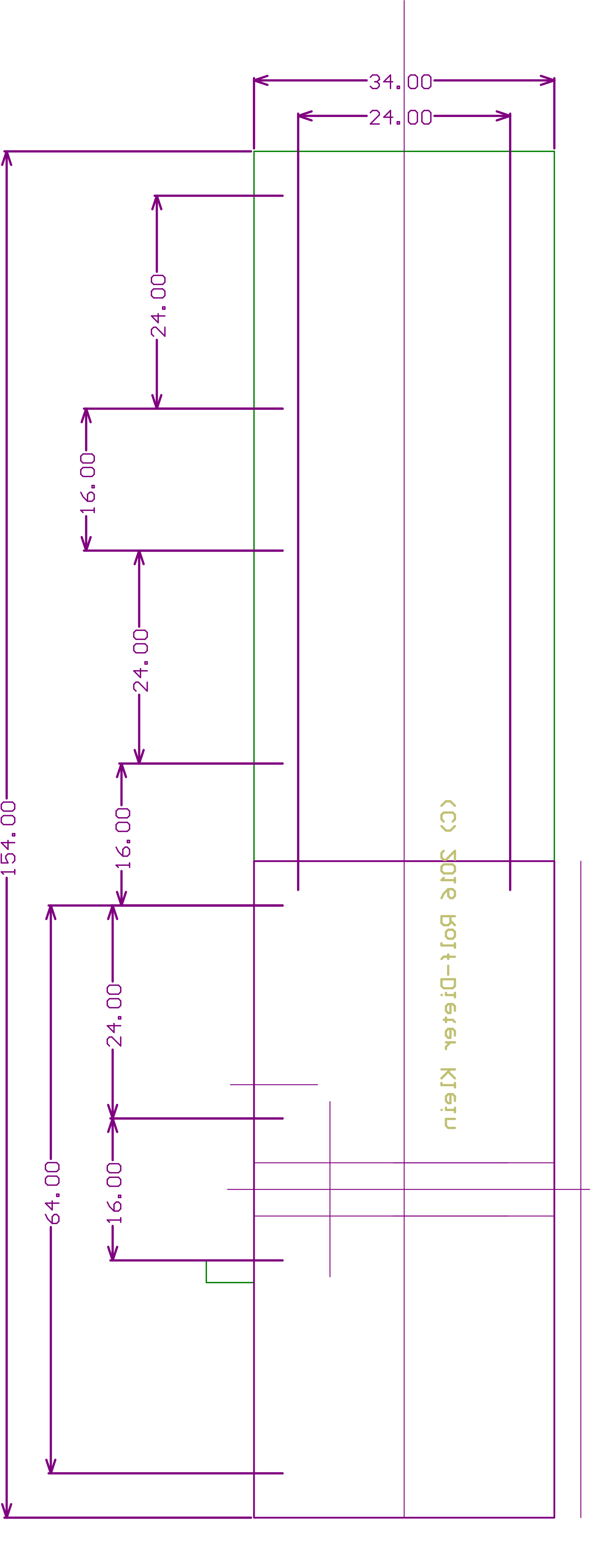


Title			GMDPWDist		
Size	Number	Revision		1.0	
A3	DM7RDK				
Date:	9/17/2016	Sheet of		4 of 4	
File:	H:\Project Rdk\Sheet1 expbasis-4x1		DM7RDK.Dist.SchDoc		





Comment	Description	Designator	Footprint	LibRef	Quantity
100nF	Cap	C1, C2, C3, C4, C5, C6, C7, C8, C9, C10	cap_0603 flat	Capacitor	10
diode 3-4A	diode	D1	diodeB330	diode micromelf	1
hermaphrodite 4x	hermaphrodite 4x	H1, H1b, H2, H3, H4, H4b, H21, H22, H23	herma4x4mm	hermaphrodite 4x	9
LED SMD	LED SMD	LED1	BLUELED0805	LED0805-BLUE	1
Header 4	Header, 4-Pin	P1	HDR1X4	Header 4	1
Bead 4A	res	R1, R2, R3, R4, R5	res_1210	resistor	5
2.2k	res	R6	R0805	resistor	1