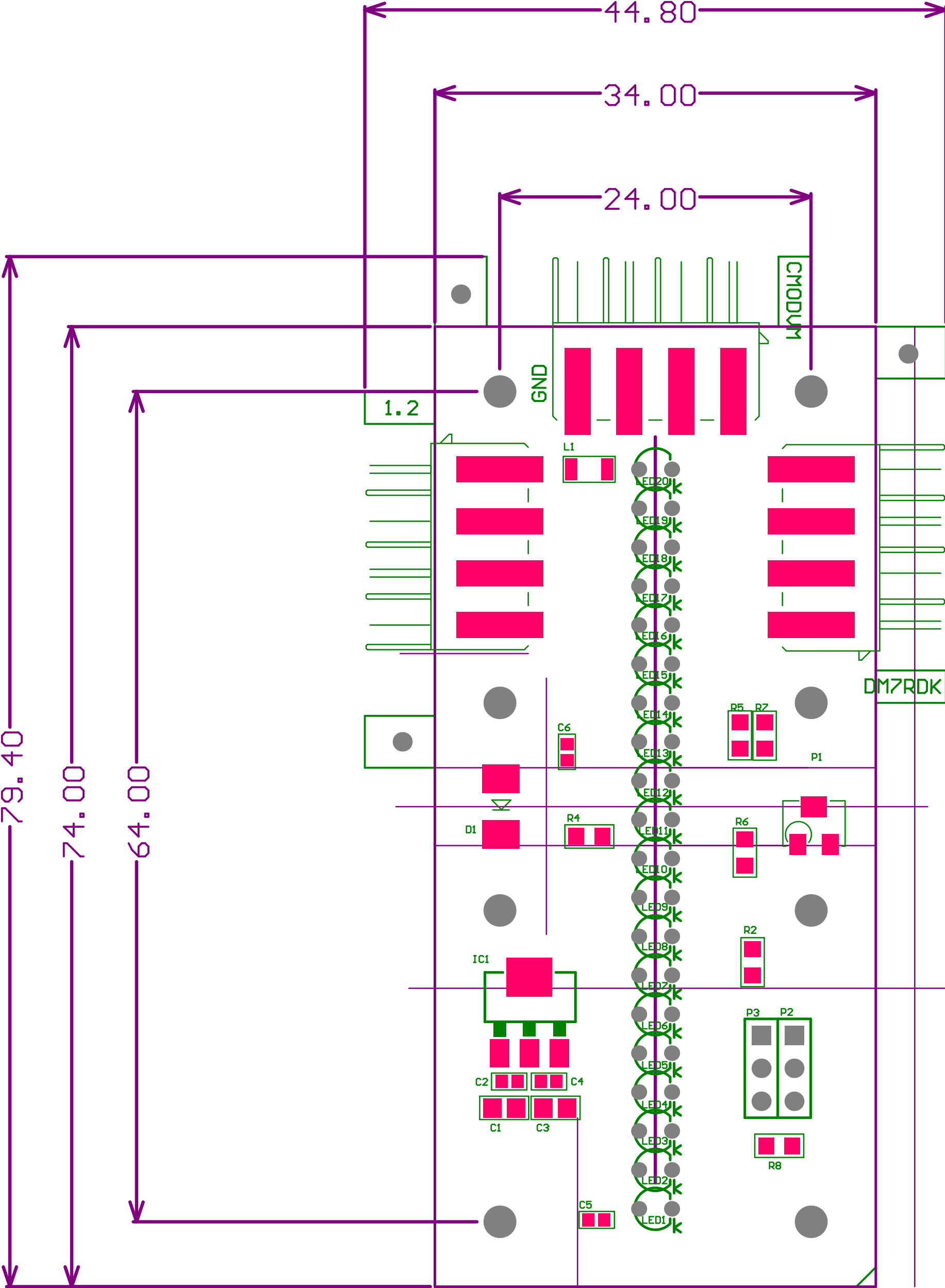
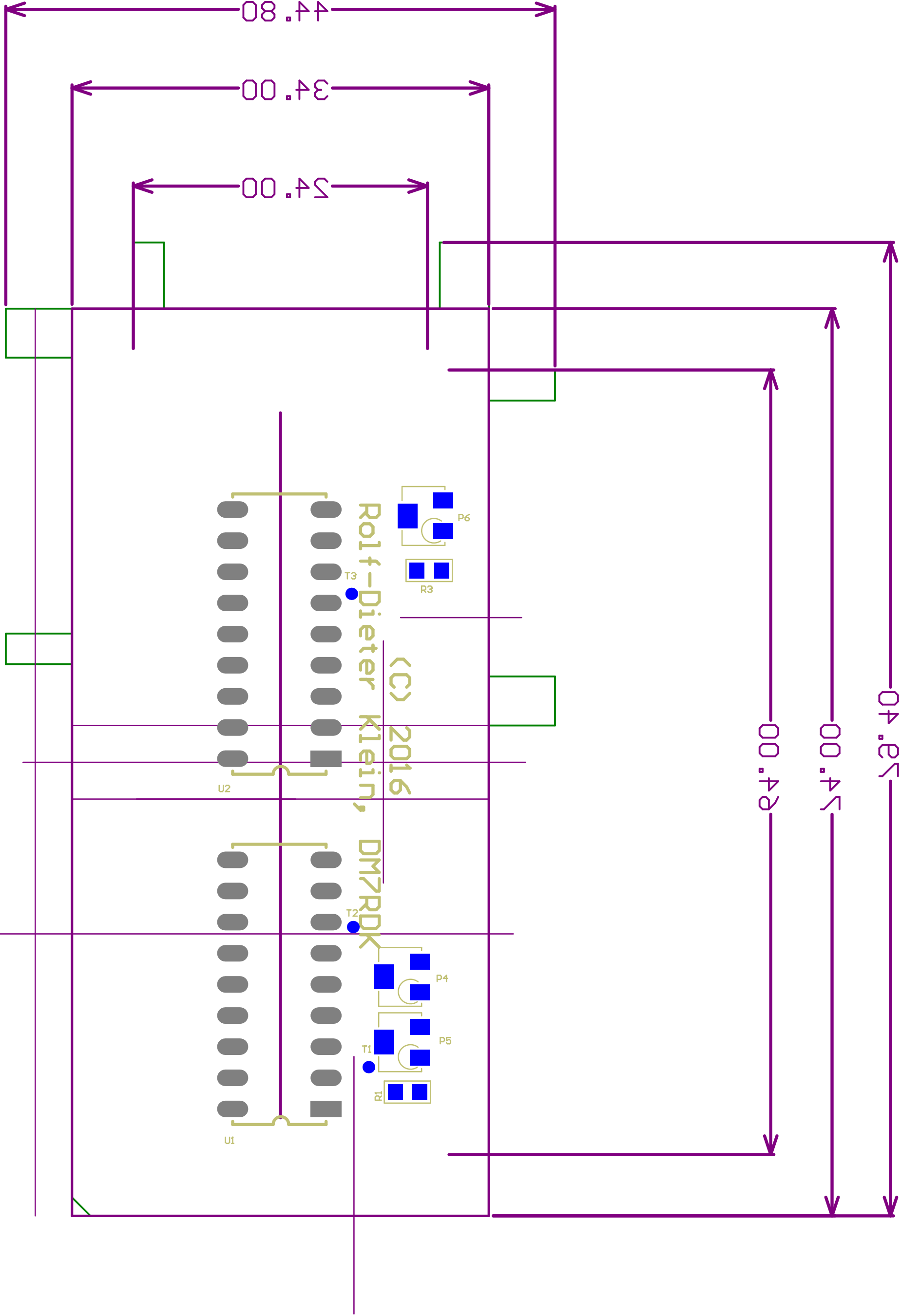


Title		
VMETER BAR LED CMODVM		
Size	Number	Revision
A3	DM7RDK	1.2
Date:	9/11/2016	Sheet of
File:	H:\Project Rdk\Sheet1 rdkexp 2x1 v\dm7rdk.schdoc	





Comment	Description	Designator	Footprint	LibRef	Quantity
10uF 25V	Cap	C1, C3	Cap0805_MKM212	Capacitor	2
100nF 50V	Cap	C2, C4, C5, C6	cap_0603 flat	Capacitor	4
MBR330	diode	D1	diodeB330	diode micromelf	1
hermaphrodite 4x	hermaphrodite 4x	H1, H2, H4	herma4x4mm	hermaphrodite 4x	3
LM2937-5V		IC1	SOT223small	LM2937	1
0.5/2A bead	Induct	L1	res_1206	Induct	1
LED 3mm rot	LED SMD small symbol	LED1	led_3mm gn	LED0805-GENERIC	1
LED 3mm gelb	LED SMD small symbol	LED2, LED3, LED4, LED5, LED6, LED7, LED8, LED9, LED10, LED12, LED13, LED14, LED15, LED16, LED17, LED18, LED19, LED20	led_3mm gn	LED0805-GENERIC	18
LED 3mm orange	LED SMD small symbol	LED11	led_3mm gn	LED0805-GENERIC	1
1M//NL	poti	P1	Trim_3214W	poti	1
Header 3	Header, 3-Pin	P2, P3	HDR1X3	Header 3	2
5k 5turn	poti	P4, P5, P6	Trim_3214W	poti	3
200R	res	R1, R3	R0805	resistor	2
20k	res	R2	R0805	resistor	1
10k	res	R4	R0805	resistor	1
10M/OR	res	R5	R0805	resistor	1
2.2M//NL	res	R6	R0805	resistor	1
NL//10k	res	R7	R0805	resistor	1
nl	res	R8	R0805	resistor	1
TestPad	testpad powerpad etc	T1, T2, T3	testpad - 1mm	TestPad	3
LM3914 display driver	LM3914 display driver 10	U1, U2	DIP18	LM3914	2